

Remote Controlled Paper Lantern Light

Model PLL-12W-RC

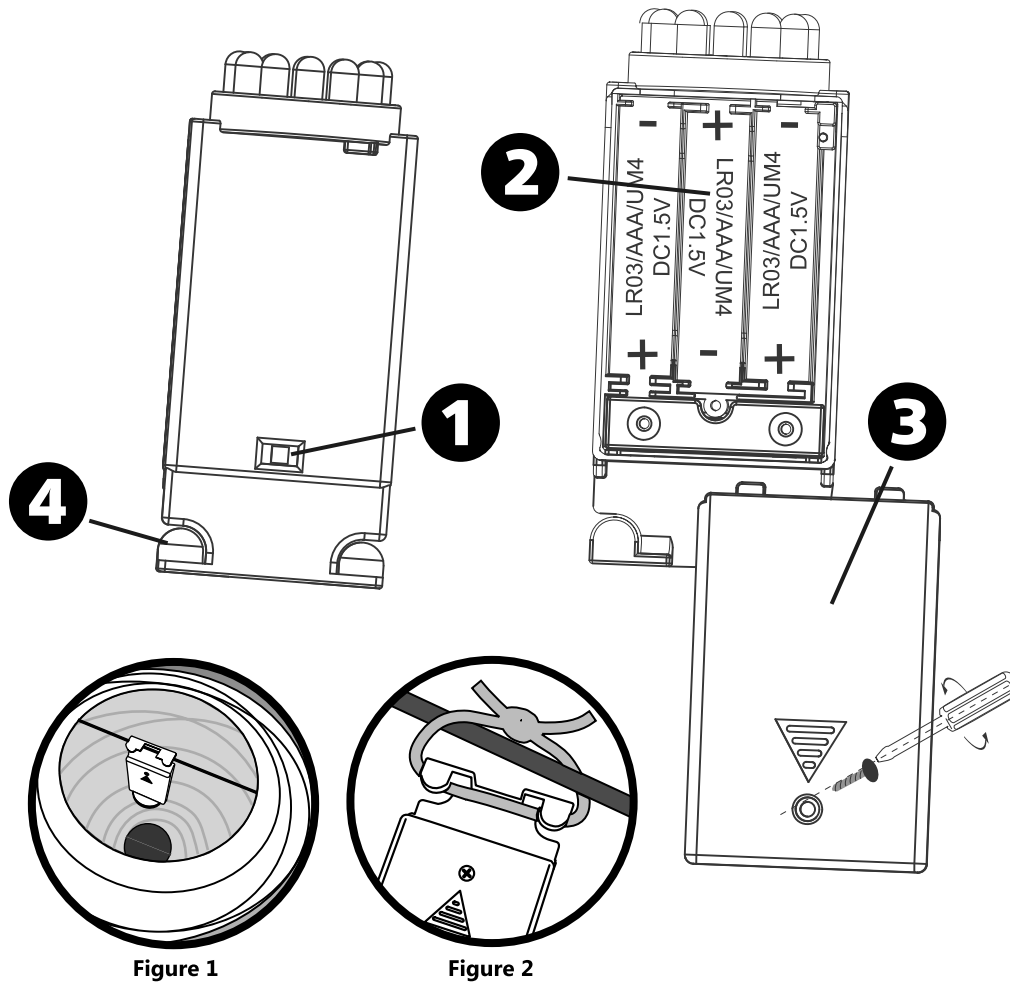


Figure 1

Figure 2

INSTRUCTIONAL INFORMATION

- 1 On, Off, Remote Switch** - To operate the light manually, set the switch to the "On" position. To operate the light using the remote control, set the switch to the "Remote" position. Set the switch to the off position when storing the light to make sure it does not get inadvertently turned on with the remote device. Note that when the switch is in the remote position, there is a slight drain on the batteries even if the light is off. This is because the signal receiving component in the light must be on in order to receive a signal from the handheld remote device.

If you are using many lanterns covering a large area, when using the model PLL-1C-Remote handheld remote device (purchased separately), all the lanterns may not turn on. In that case, simply move closer to the lanterns that did not turn on and press the handheld remote device "On" switch again.

- 2 Battery Power** - 3 x AAA batteries, not included.
- 3 Battery Compartment Cover** - Remove screw and slide off. The cover will lock in place without replacing the screw.
- 4 Hanger** - Attach/Hang from the internal metal cross bar (Figure 1) located at the top of your paper lantern, this is the bar the paper lantern is usually hung from. If for some reason the PLL-12W-RC hanger cannot attach to your lantern as described, it can be attached by looping string (Figure 2) around the hanger portion and then secure to any upper support component of the lantern.

Notes for Battery Usage

Always use good quality Alkaline Batteries and never mix used and new batteries when replacing. Make sure batteries are inserted with the correct polarity and removed when completely exhausted. Be careful not to short circuit the supply terminals.