

# LED-DRJ 100W

## 12V DC CONSTANT VOLTAGE DRIVER

The LED-DRJ Series features universal 100-277V AC power input with high reliability and Class 2 rating. Standard built-in protections include short circuit, over-current, over-voltage, and over temperature. Used commonly with DMX decoders and controls for secondary side dimming, they can also be used in non-dimming applications (minimum loads apply). Durable aluminum housing features integrated junction box and wet location rating.

- 12V DC constant voltage hardwire driver
- Non-dimmable option for installations where primary side dimming is not needed
- Short circuit, over-load, and over-temperature protections
- Slim, compact aluminum housing design (only 1.72" tall)
- Integrated wiring compartment
- Free air convection cooling
- Class 1, Class P, Type HL, FCC compliant
- cULus Listed, Wet location rated



### LED-DRJ - 96W QUICK SPECS

<b>SERIES</b>	LED-DRJ 100W
<b>INPUT VOLTAGE</b>	100-277VAC
<b>INPUT CURRENT</b>	1.5A
<b>OUTPUT VOLTAGE</b>	12VDC
<b>RATED CURRENT</b>	8.33A
<b>POWER FACTOR</b>	0.95
<b>MIN LOAD</b>	10W
<b>MAX LOAD</b>	100W
<b>EFFICIENCY</b>	> 83%
<b>DIMENSIONS</b>	8.66" (220mm) L x 3.76" (95.5mm) W x 1.72" (44mm) H
<b>DIMMING</b>	Non-Dimming
<b>STORAGE TEMP</b>	-40°F to 176°F (-40°C to 80°C)
<b>AMBIENT TEMP</b>	-40°F to 140°F (-40°C to 60°C)
<b>OPERATING TEMP</b>	-40°F to 140°F (-40°C to 60°C)
<b>RATING</b>	cULus Listed for Wet locations

\*Recommended: Do not load a driver more than 90% of max load.

PROJECT: \_\_\_\_\_

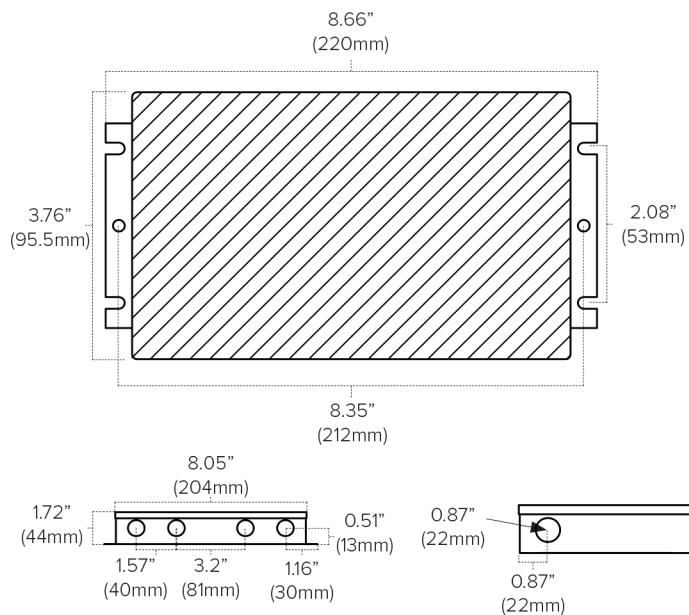
TYPE: \_\_\_\_\_

LOCATION: \_\_\_\_\_

CATALOG NUMBER: \_\_\_\_\_



### LED-DRJ 100W DRIVER QUICK DIMENSIONS



**LED-DRJ 100W DRIVER ORDERING INFORMATION**

ITEM NUMBER	DESCRIPTION	INPUT VOLTAGE	OUTPUT VOLTAGE	MIN LOAD	MAX LOAD
LED-DRJ-100-12	100W constant voltage Driver	100-277V DC	12V DC	10W	100W

**LED-DRJ - 100W WIRING DIAGRAM**

